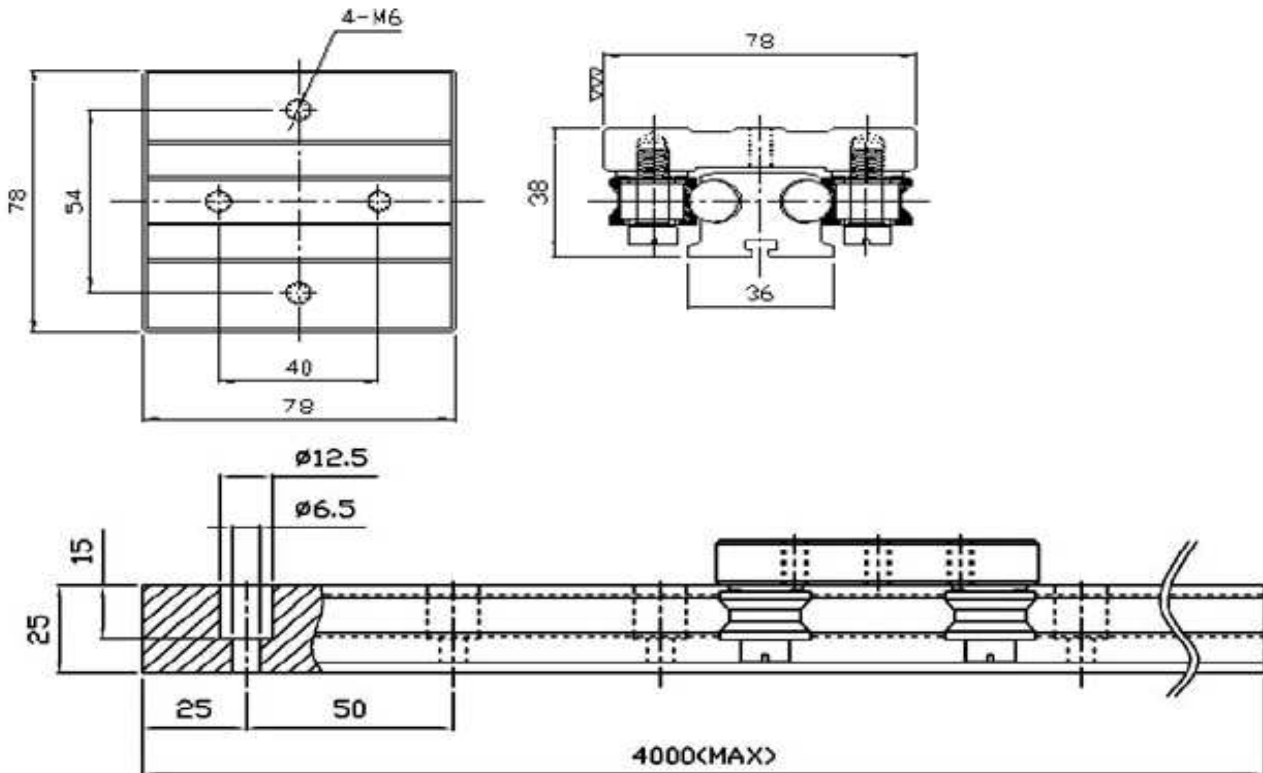
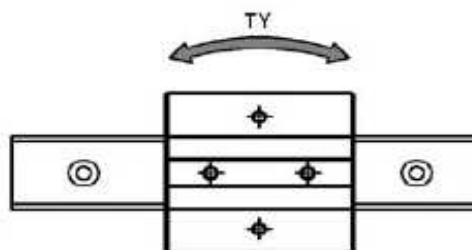
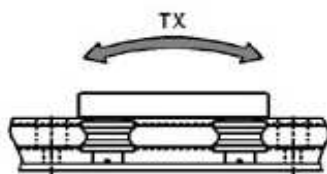
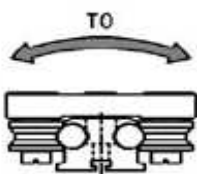




# TLE 12

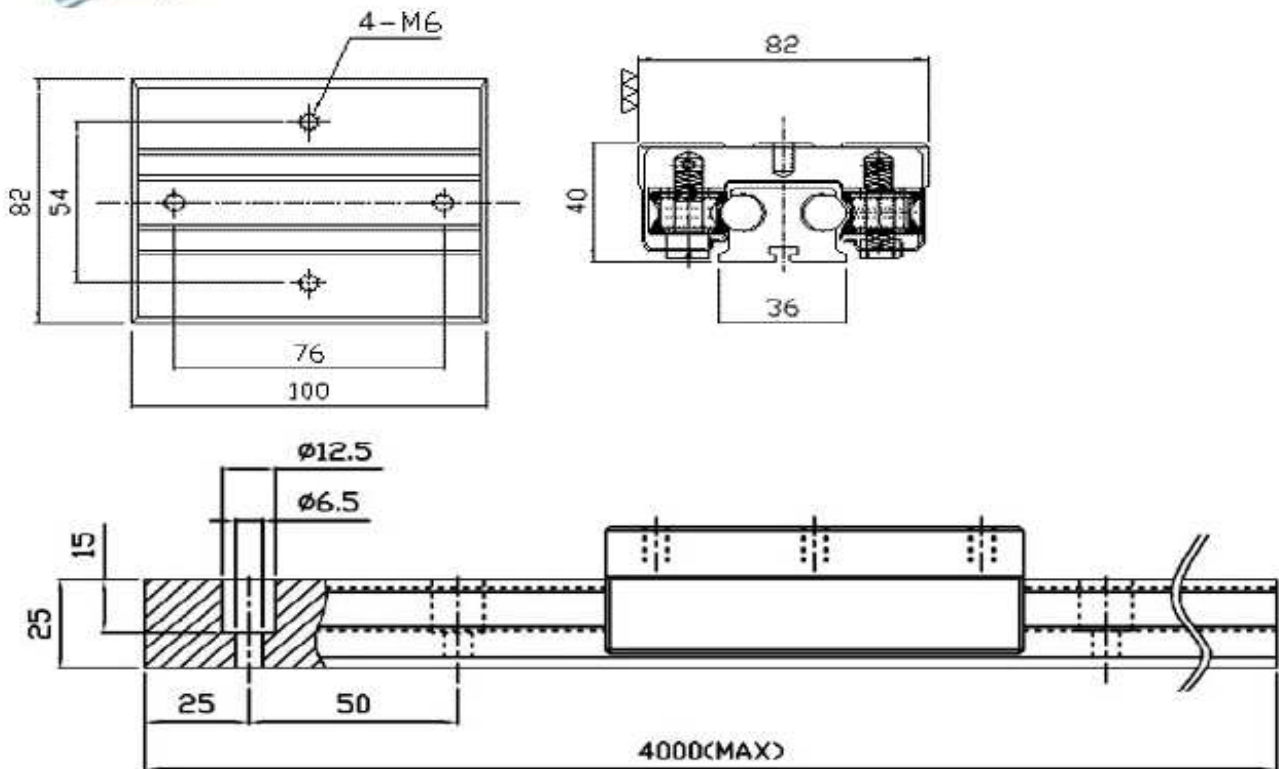


Shaft Dia	Basic Dynamic Load	Basic Static Load	Static Moment			Weight	
			To (kgf-m)	Tx (kgf-m)	Ty (kgf-m)	Block kg	Rail kg/m
12	140	230	4.3	3.2	3.8	0.36	3.1





# TLB 12



Shaft Dia	Basic Dynamic Load	Basic Static Load	Static Moment			Weight	
			To (kgf-m)	Tx (kgf-m)	Ty (kgf-m)	Block kg	Rail kg/m
12	180	290	5.4	4.0	4.8	0.54	3.1

